

Ensure your walls can truly stand up. Choose DELTA® FASSADE S with complete protection for open-joint cladding.

Dear Reader,

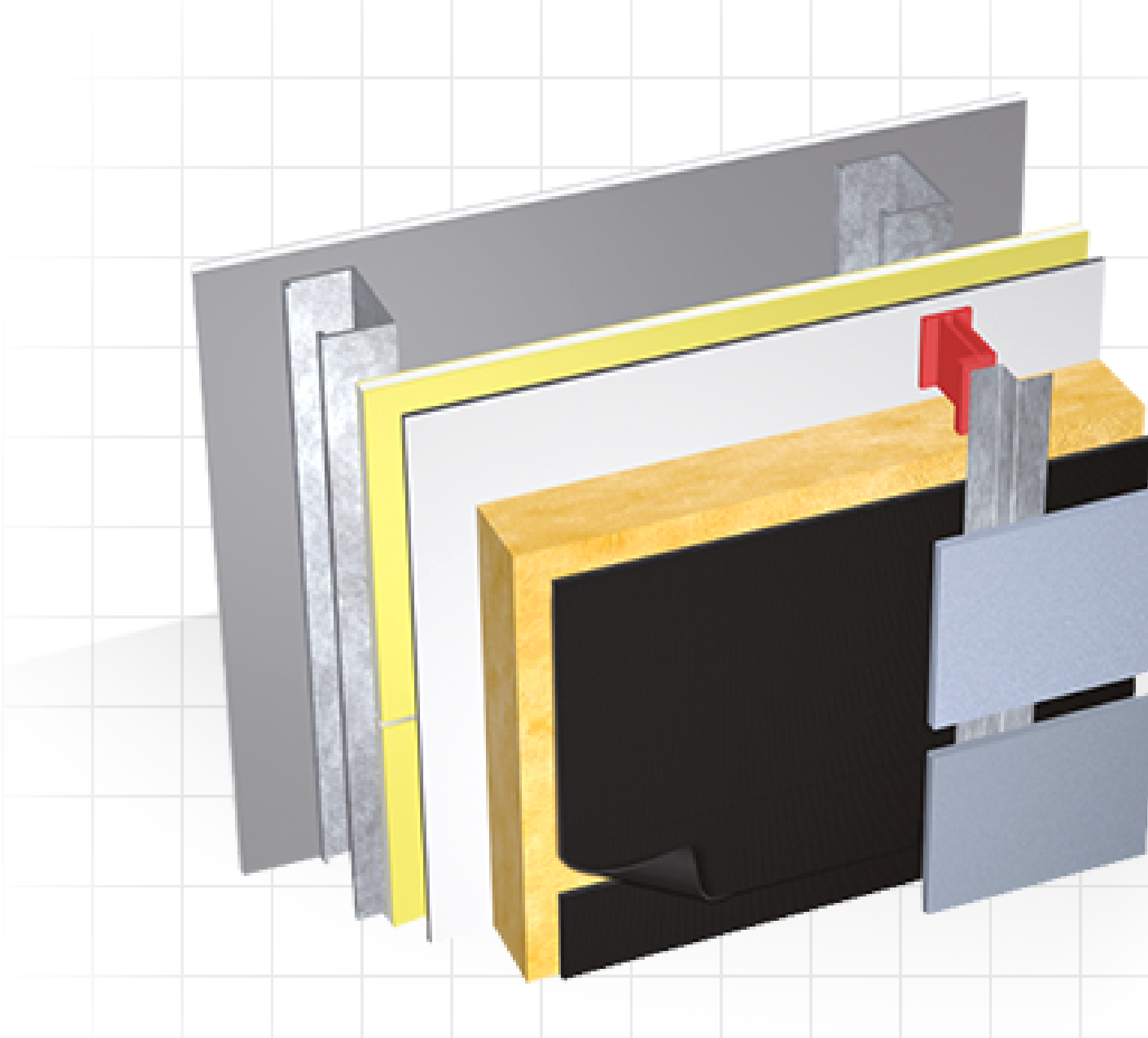
As fall weather approaches, the performance demands on your building envelope only increase. With colder temperatures, wind-driven rain, and rising moisture levels, the systems behind your walls must do more than just meet code. They need to perform at the highest level under real-world conditions.

That's why this month, we're spotlighting the components that make a difference when the weather turns. From the DELTA®-FASSADE S for open-joint cladding, to a latest study comparing wall assemblies, and a case study built to withstand the toughest maritime climate this newsletter is all about smarter protection, better drying, and proven results. Whether you're designing for aesthetics or building for durability, these insights will help you be ready this fall, and all the falls to come.

What do you have planned for the rest of 2025? [Explore our Top 5 open-joint cladding projects](#) to see how DELTA®-FASSADE S has delivered proven performance across demanding designs.



Peter Barrett
Product & Marketing Manager
Dörken Systems Inc.



Product Spotlight:

Product Spotlight: DELTA®-FASSADE S

- Allows for 50% open-joint exposure with open joints up to 2" (50 mm) wide, giving architects and designers more creative freedom without compromising durability
- Matte black finish – virtually invisible behind slats or panels for a seamless aesthetic
- Tested for long-term durability with proven UV-stable and weather-resistant performance

[LEARN MORE](#)

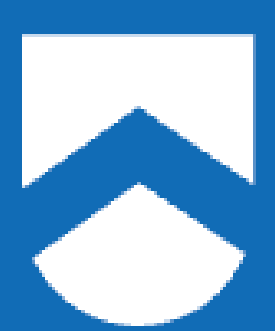


Hygrothermal Study: Brick vs. Stone Veneer

Not all walls dry the same, and as fall brings increased rainfall, cooler temperatures, and more extended periods of dampness, understanding how different wall assemblies manage moisture is more important than ever.

Our latest hygrothermal study put this to the test by comparing brick veneer and adhered stone veneer assemblies using different barrier systems to measure real-world drying performance.

[DOWNLOAD AND READ](#)



DELTA® ACADEMY
A higher degree of protection

[Advance Your Skills with DELTA® Academy](#)

Take your architecture and construction knowledge to the next level. DELTA® Academy offers valuable tools and insights to help you surpass industry standards, improve efficiency, and integrate sustainable design into your projects. Stay at the forefront of innovation and gain the edge that sets you apart. Make DELTA® Academy your go-to source for professional growth.

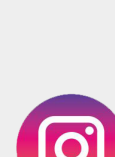
[TAKE ME THERE](#)

Earlier this summer, we announced key upgrades to our most trusted air and moisture barriers — including **DELTA®-VENT SA** — giving crews more flexibility, better durability, and longer UV protection than ever before.

Haven't seen what changed? Read our quick recap of how these durability improvements help wall systems perform through real-world delays, tough weather, and modern specs.

[READ MORE](#)

Follow us to stay up to date



A DÖRKENGROUP company

dorken.com